

## Push-Pull Type Toggle Clamps

Steel / Stainless Steel, for Push-Pull Clamping

### SPECIFICATION

#### Type

- Type **AS**: Body forged Steel
- Body manganese phosphated
- Sheet metal, case-hardened steel C10
- Zinc plated, blue passivated
- Plunger steel St 37
- Zinc plated, blue passivated
- Bearing pins (rivets) Case-hardened
- Zinc plated, blue passivated

#### Stainless steel **NI**

- Body AISI 304
- Sheet metal AISI 304
- Plunger AISI 303
- Bearing pins (rivets) AISI 304

All moving parts  
Lubricated with special grease  
Solid designed plastic handle  
Red, oil resistant



### INFORMATION

Push-pull type toggle clamps GN 842 can be used for very high holding capacities thanks to their massive and sturdy body. On the size 70, the mounting holes are provided with cylindrical countersinks for the use of hexagon socket head screws DIN 912-M4.

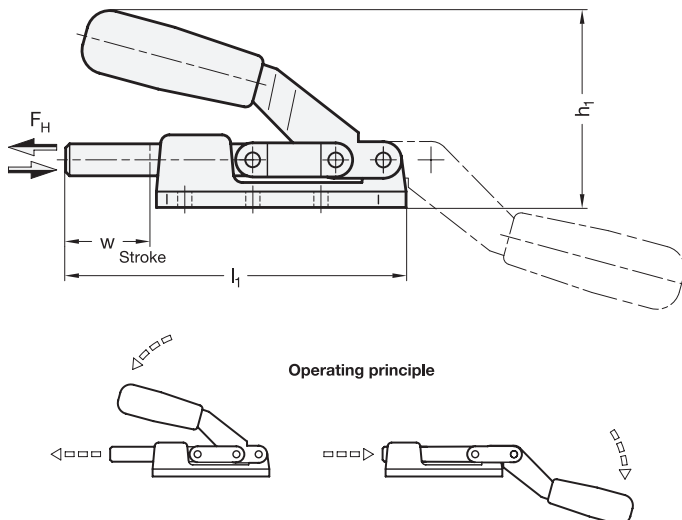
- General Information for Toggle Clamps (see page 1560)

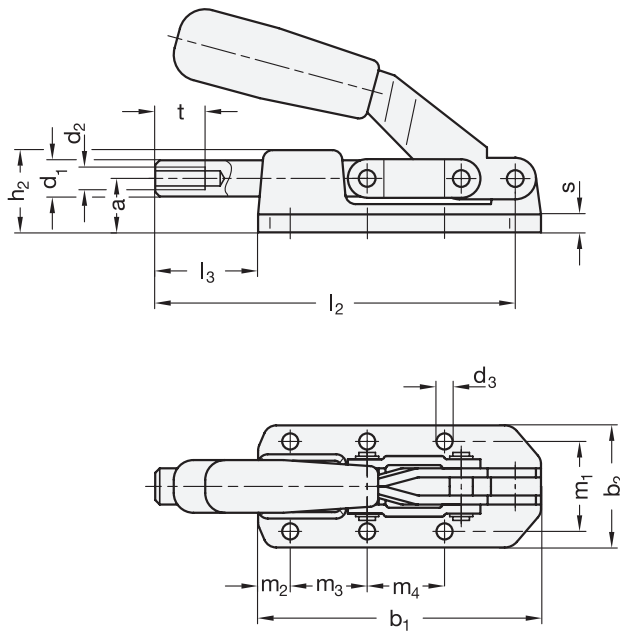
### ACCESSORY

- Clamping Screws (see page 1623 ff.)

### TECHNICAL INFORMATION

- Stainless Steel Characteristics (see page A26)





GN 842-ST

Description	Size	F <sub>H</sub> in N	a	b <sub>1</sub>	b <sub>2</sub>	d <sub>1</sub>	d <sub>2</sub>	d <sub>3</sub>	h <sub>1</sub> ≈	h <sub>2</sub> ≈	l <sub>1</sub>	l <sub>2</sub> ≈	l <sub>3</sub>	m <sub>1</sub>	m <sub>2</sub>	m <sub>3</sub>	m <sub>4</sub>	s	t	w	⚖
GN 842-70-AS	70	1200	12	64	36	8.5	M 6	4.3	42.5	19.5	86	79	22	26	13	26	-	6	12	20	170
GN 842-160-AS	160	2800	15	85	46	11	M 6	5.3	59	25	116	107	31	33.5	11.5	36.5	-	7	12	30	360
GN 842-360-AS	360	5600	25	90	45.5	12	M 8	5.5	75	34.5	122	114	32	33.5	30	36.5	-	7	15	32	480
GN 842-550-AS	550	8000	18	122.5	55	14	M 8	7	82.5	29.5	164.5	154.5	42	41	15	35	41	6	16	42	700
GN 842-1100-AS	1100	16000	25	133	57	16	M 10	8.5	95	38	182	170.5	49	41	15	35	41	8	18	50	1100
GN 842-2100-AS	2100	25000	35	177	70	20	M 12	8.5	118.5	50	238	222	61	50	35	50	50	10	22	60	2220
GN 842-3100-AS	3100	45000	40	216	76	22	M 14	11	137	56	316	300	100	54	40	70	70	10	25	100	3065

GN 842-NI

STAINLESS STEEL

Description	Size	F <sub>H</sub> in N	a	b <sub>1</sub>	b <sub>2</sub>	d <sub>1</sub>	d <sub>2</sub>	d <sub>3</sub>	h <sub>1</sub> ≈	h <sub>2</sub> ≈	l <sub>1</sub>	l <sub>2</sub> ≈	l <sub>3</sub>	m <sub>1</sub>	m <sub>2</sub>	m <sub>3</sub>	s	t	w	⚖
GN 842-70-AS-NI	70	1200	12	64	36	8.5	M 6	4.3	42.5	19.5	86	79	22	26	13	26	6	12	20	170
GN 842-160-AS-NI	160	2800	15	85	46	11	M 6	5.3	59	25	116	107	31	33.5	11.5	36.5	7	12	30	360
GN 842-360-AS-NI	360	5600	25	90	45.5	12	M 8	5.5	75	34.5	122	114	32	33.5	30	36.5	7	15	32	480

